

AeroMed® LEXUS™ Upper-room Germicidal UV Fixture

AeroMed® Integrity

As a trusted partner for critical environmental applications, we are committed to serving our clients needs with integrity, honesty and trust.

AeroMed® Reputation

AeroMed® environmental infection control products are used by healthcare facilities and clinical researchers around the world.

AeroMed® Engineering

AeroMed® products are designed specifically for critical applications like yours. We have unparalleled product flexibility leading to equipment that better fits your specific needs.

AeroMed® Technologies, LLC

1821 Broad Street
Utica, NY 13501
Tel: +1.518.843.3500
Fax: +1.315.732.4238
Web: www.AeroMed.com



General Overview

The AeroMed® LEXUS™ upper-room GUV (germicidal ultraviolet) fixtures are designed to irradiate air in occupied spaces that may contain infectious pathogens.

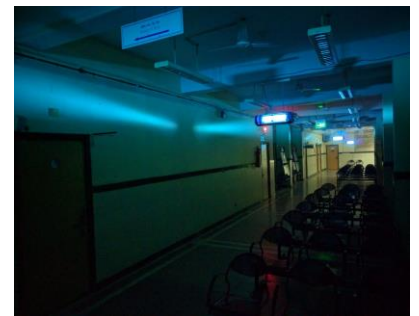
These fixtures have historically been used for airborne-spread germs, such as SARS (coronavirus), influenza, tuberculosis, and measles. The WHO recommended the use of Upper room GUV for tuberculosis infection prevention and control in their 2019 guidelines.

Some facilities in which the LEXUS™ are now commonly applied would be:

- Hospitals
- Restaurants
- Schools and Universities
- Health Clinics
- Fitness and Sports Centers
- Dental Offices
- Commercial Office Settings
- Prison Health Clinics
- Government offices
- Voting Centers
- Homeless Shelters
- Day Care / Nurseries

What makes us better?

- *Higher UV output provides better protection*
- *Wider angle of irradiance*
- *Independent laboratory tested for UV output*
- *Best Combination of performance and economy*
- *With higher output, fewer units may be required*
- *Easily adjustable for safety commissioning*



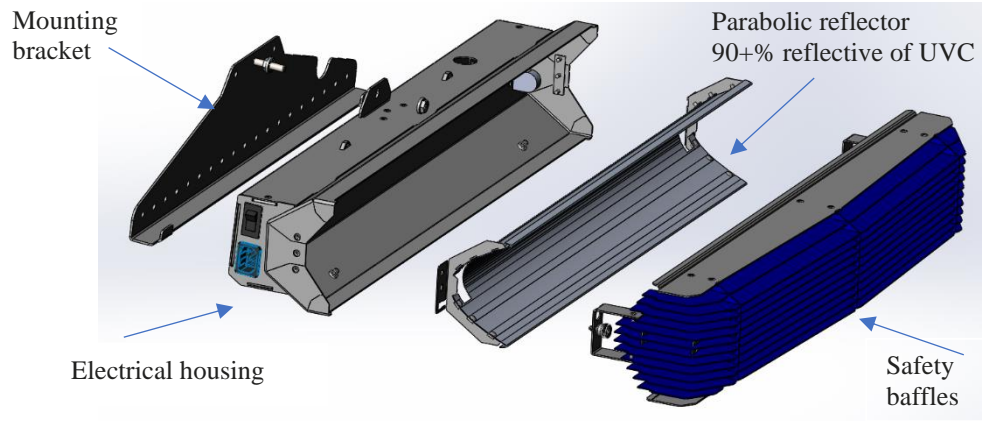
“Upper-room germicidal ultraviolet (GUV) systems are recommended to reduce M. tuberculosis transmission to health workers, persons attending health care facilities or other persons in settings with a high risk of transmission.”

[WHO guidelines on tuberculosis infection prevention and control, 2019 update](http://www.who.int/publications/m/item/who-guidelines-on-tuberculosis-infection-prevention-and-control-2019-update)

For service and commissioning instructions visit:

<http://www.stoptb.org/wg/ett/>

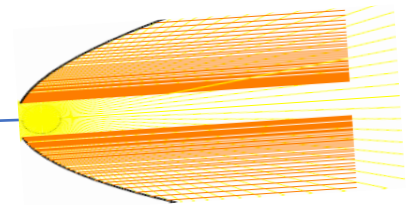
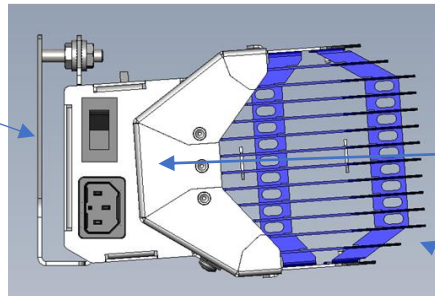
LEXUS™ Upper-room Germicidal UV Fixture



The LEXUS™ series of units combines industry best UVC output from a very efficient design, easy installation and safety commissioning, along with a sleek attractive design to make it the most desirable upper-room GUV fixture available!

The Geometry of a parabolic reflector (shown below) is such that all energy coming from a UV lamp correctly located in the focal point is emitted from the fixture as parallel or collimated light.

Adjustable wall mount bracket for easy installation and easy adjustment for safety commissioning



Baffles to block stray UV light

AM-LEXUS Specifications

	Imperial Units			SI Units		
Unit:	LEXUS™ L1.1	LEXUS™ L2.1	LEXUS™ L3.1	LEXUS™ L1.1	LEXUS™ L2.1	LEXUS™ L3.1
Height:	4.62"	4.62"	4.62"	117 mm	117 mm	117 mm
Width:	14.25"	23.25"	34.9"	362 mm	591 mm	886 mm
Depth:	7.43"	7.43"	7.43"	189 mm	189 mm	189 mm
Weight:	4.5 lbs	7 lbs	9 lbs	2.04 kg	3.18 kg	4.08 kg
Nominal Power:	12.2W	26.2W	40.6W	12.2W	26.2W	40.6W
Plug choices:	A/B	A/B	A/B	C/D/M/N	C/D/M/N	C/D/M/N
UV Lamp:	AM-LX-UVL-Mini	AM-LX-UVL	AM-LX-UVL-Max	AM-LX-UVL-Mini	AM-LX-UVL	AM-LX-UVL-Max
UV Output: <small>By independent lab</small>	.35 watts	.71 watts	1.21 watts	.35 watts	.71 watts	1.21 watts
Voltage:	120 - 277 volts @ 50/60 Hz			120 - 277 volts @ 50/60 Hz		
Note:	*Minimum installation height of 7' from floor			*Minimum installation height of 2.1 m from floor		
Construction:	Baffle Section: Powder-coated aluminum; Base: Aluminum; Reflectors: >90% UV Reflective Metal					

AeroMed® Innovation
AeroMed® Technologies continues to drive the evolution of infection control engineering in healthcare and bio-terror applications.

AeroMed® Compliance
Through our products, services and consulting, AeroMed® Technologies partners with your facility to achieve and maintain compliance with industry codes, standards and guidelines.

AeroMed® Experience
With over twenty years of experience in environmental infection control, AeroMed® Technologies has unparalleled experience in the healthcare industry.

AeroMed® Technologies, LLC
1821 Broad Street
Utica, NY 13501
Tel: +1.518.843.3500
Fax: +1.315.732.4238
Web: www.AeroMed.com

WHO Guidelines on Tuberculosis Infection Prevention and Control, 2019 Update are available here:
<https://apps.who.int/iris/bitstream/handle/10665/311259/9789241550512-eng.pdf>