

## AM-600C Ceiling Mount HEPA Air Purifier



- *Quiet Operation*
- *HEPA exhaust to create negative pressure*
- *Easy, one man installation, great for renovation projects*
- *Can also be used for HEPA Recirculation*
- *Rugged, Durable Construction*
- *Easy to Maintain*
- *Multiple speed control options*

### AeroMed® Integrity

As a trusted partner for critical environmental applications, we are committed to serving our clients' needs with integrity, honesty and trust.

### AeroMed® Reputation

AeroMed environmental infection control products are used by healthcare facilities and clinical researchers around the world.

### AeroMed® Engineering

AeroMed products are designed specifically for critical applications like yours. We have unparalleled product flexibility leading to equipment that better fits your specific needs.

### General Overview

The AeroMed® AM-600C is a low profile air purifier that is designed to fit a 2' x 2' ceiling grid. It removes airborne micro-contaminants and can be used for exhaust or recirculation filtration. The unit combines a MERV 8 pre-filter and 99.99% HEPA filter to provide optimal air purification.

The AeroMed® 600C is an excellent choice for smaller areas where controlling airborne pathogens may be a concern. Typical applications include isolation and exam rooms, waiting areas and procedure rooms. Once air is passed through the HEPA filter, it may be exhausted to create negative pressure or recirculated back to the room.

The AeroMed® 600C comes as two separate components in order to facilitate easy installation by one person. The lightweight filter housing is simply laid in the ceiling grid and then attached to the support system once the filter section is secured, the heavier fan section is placed on top of the filter section, sealed and secured.

### Features

Service access: The AeroMed® 600C's easy to open service door provides room side access to the pre and HEPA filter section when the need for replacement arises. The access door is held securely in place by recessed door latches that do not detract from the unit's aesthetics. A retainer clip on the filter access door prevents the pre-filter from falling out of the unit when the door is opened. A unique HEPA clamping device allows for one person to easily and safely change the HEPA filter.



## AM-600C Ceiling Mount HEPA Air Purifier

### Features (continued)

**Ducting:** The AeroMed® 600C comes standard with four exhaust ports. The user may choose to utilize any number of these ports allowing for multiple configurations such as:

- Exhaust only
- Recirculation and exhaust
- Recirculation to multiple points in one room

**Speed Control:** The AeroMed® 600C has a wide variety of speed control options including either remote or on board variations of the following:

- AeroStat™ automated variable remote, controlled by room pressure monitor
- variable rheostat control
- automated two speed operation controlled by remote monitor
- 2 or 3 position key switch speed selection

**Filter Pressure:** The AeroMed® 600C may be provided with an optional remote control panel which in addition to housing the speed control options will also house a filter pressure gauge.

### AM-600C Specifications

**Delivered Air:** 575 CFM - High (zero external static)  
275 CFM - Low

**≥12 ACH:** in room up to 19' x 19' x 8'

**Sound Level:** <55 dBA

**Voltage:** 120 volts @ 60 Hz

**Wattage:** 290 watts

**Amperage:** 2.60 amps

**Fuse:** 3 amp

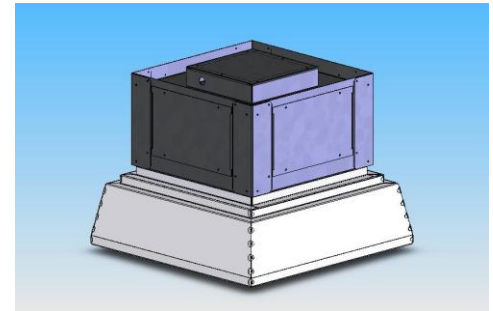
**Filters:** MERV 8 pre-filter,  
99.99% DOP HEPA

**Dimensions:** 23.75"D x 23.75"W x 19.75"H

**Filter Housing:** 18ga galvanized sheet metal with white powder coat paint finish on room side surface

**Fan Housing:** 16ga galvanized galvanized steel

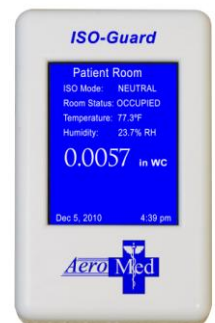
Hard wire is standard, Hospital grade plug option available



The AeroMed® AM600C may be remote controlled by either the RCP-1 or the IsoGuard™ room pressure monitor. (shown below)



**RCP-1**



**IsoGuard™**

### **AeroMed® Inc.**

1821 Broad Street  
Utica, NY 13501  
Phone 518-843-3500  
Toll free 866-692-3766  
Fax 518-843-8500  
WEB [www.AeroMed.com](http://www.AeroMed.com)

### **AeroMed® Innovation**

AeroMed continues to drive the evolution of infection control engineering in healthcare and bio-terror applications.

### **AeroMed® Compliance**

Through our products, services and consulting, AeroMed , partners with your facility to achieve and maintain compliance with industry codes, standards and guidelines.

### **AeroMed® Experience**

With over twenty years of experience in environmental infection control, AeroMed has unparalleled experience in the healthcare industry.